

Product Data Sheet



Product Description

Catalogue number	5062010C
Product description	CAPP Petri Dishes, 90 mm, w/ vents, non-sterile
Sales Unit	Case / 24 x 20 pcs.

Product Characteristics

Ventilation cams	3
Sterilised	No
Product conditions	ISO Class 8
Autoclavable	No

Size

Width	91.5 mm
Height	14.55 mm
Max. volume level (overflow level)	75 mL

Material / Colours

Product material	Polystyrene (PS)
Colour of product	Clear

Packaging

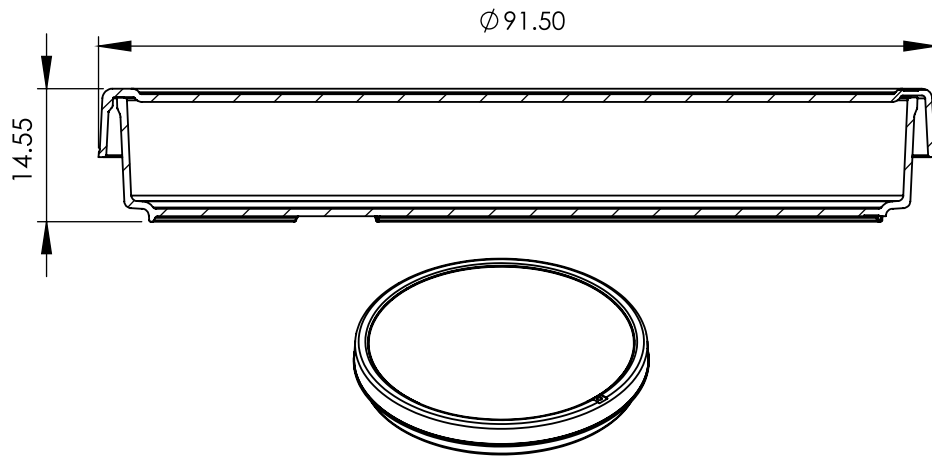
Type of packaging	Bag
Pieces / bag	20
Pieces / Case	480
Pieces / Pallet	11520
Dimension Case Carton (H x W x D)	310 x 600 x 400 mm
Weight	8.55 kg
GTIN Sales Unit	4255662903329

Note: *Improper storage can initiate degradation, which results in colour changes and can have negative effects on the physical properties of the products.*

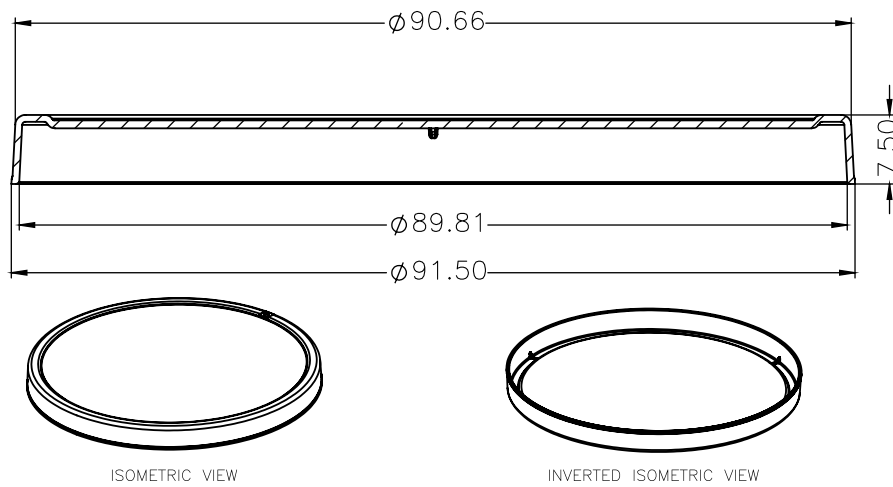
Safety: *The product is not classified as dangerous*

Technical Drawings

Assembled (Bottom and Lid)



Lid



Bottom

